

# P - Bath Screen Fitting Instructions

## **IMPORTANT**

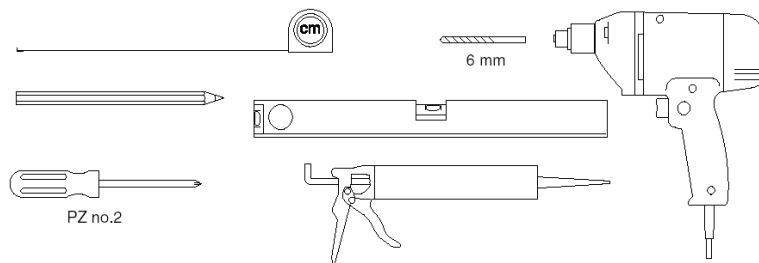
Please read carefully the following instructions before installing your shower enclosure. Failure to comply may invalidate your guarantee.

## **Preparation**

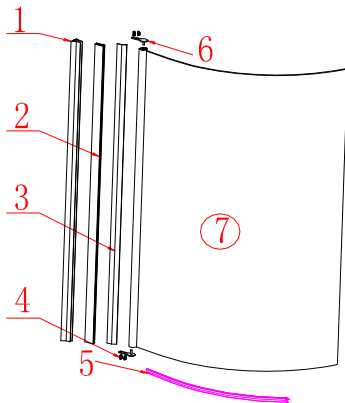
Check all the packed parts are complete by cross checking all the components against the exploded diagram.

## **Tools required:**

Electric drill, Masonry drill bit (D=6mm not provided), Pencil, Pozi screwdriver, Slotted screwdriver, Tape measure, Spirit level with horizontal and vertical indicators.



## **Exploded Diagram of Bath Screen Components**



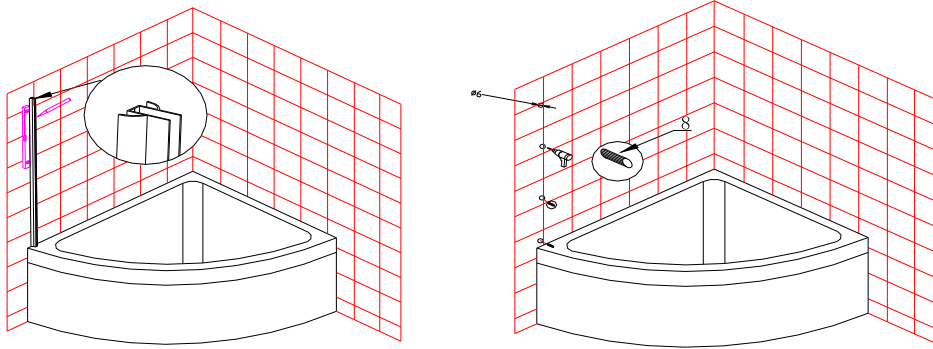
1: Wall profile (1pcs), 2: Vertical aluminum profile (1pcs), 3: Anti-water aluminum profile (1unit), 4: ST4.2X25 Screw (4pcs), 5: Horizontal sealing gasket (1pcs), 6: Shaft (2pcs), 7: Glass panel (1 units), 8: Wall plug (4pcs), 9: ST4.2X30 Screw (4pcs), 10: Screw cover caps (3units), 11: ST4.2X10 Screw (3pcs),

**Now you have checked that all components are there, you are now ready to start the installation of your Sloegrin Bath Screen.**

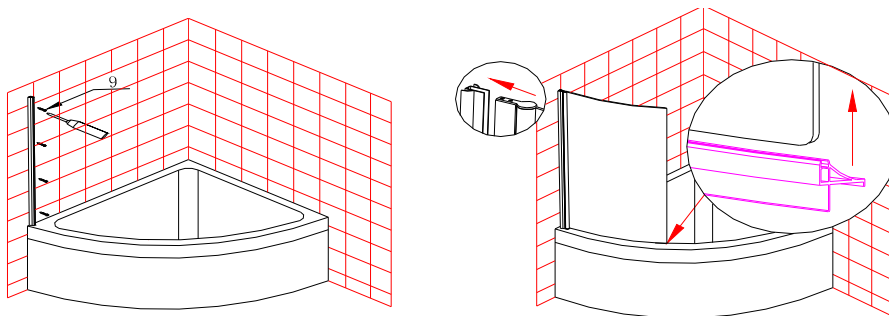
## Wall Profiles

*Handy Tip: Make sure you have your pencil readily available*

1. Place wall profile against the wall approximately 10mm to 14mm in from the edge of the bath (Fig. 1). Notice the smooth side of the profile is on the outside of the bathtub and the ribbed side is on the inside.
2. Using a spirit level ensures the profile is upright and perpendicular to the bath.



3. Mark the position on the wall through the pre drilled holes with your pencil. Carefully move the wall profile away from the wall and put somewhere safely to avoid damage when you start drilling.(Fig 2)
4. Drill holes where marked using the 6mm masonry drill bit. (You may need a specialized drill bit if you are drilling into tiles, if unsure please get advice).You can now install the wall plugs that have been provided. (Fig. 2)
5. Screw the wall profile to the wall making sure you keep the profile vertical. (Fig. 3)



*Handy Tip: Check that the wall profile is still level, it will save you time and money*

## Installing the Moving glass panel and Bottom gasket

Install the moving glass panel and the plastic anti-water strip for the bottom of the bath screen. (Fig. 4)

## Installing Frame and Sealing the Screen

*Handy Tip: At this stage it may be useful to get additional assistance when you fit the screen into the wall profiles.*

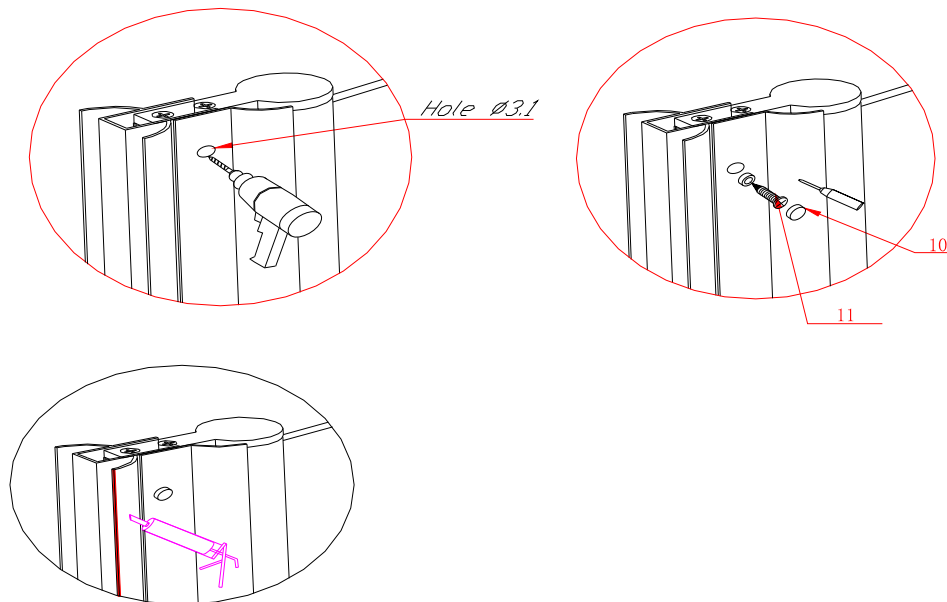
1. Lift assembled frame (Vertical aluminum profile and Anti-water aluminum profile) into position onto the bath and fit into the wall profile. Take extreme care when lifting the screen and try to keep the product level so you eliminate any movement from the door section. Please make sure you fit the screen into the wall profiles as shown. (Fig. 5)

2. Making sure the frame is vertical and square to the bath, drill holes into the wall profiles with drill bit supplied and secure with supplied screws. (Fig. 5)

*Handy Tip: Make sure you have an equal gap between the glass and frame of the screen as this will allow the screen to close correctly.*

3. Slide in the vertical waterproof seal into position.

4. Put the cover caps on the screws which fix the profiles. (Fig. 5)



5. When sealing the Screen only use a good quality clear silicon sealant and applicator gun. (Fig. 6)

6. Seal inside vertically up the wall profiles and where the fixed panels meet the wall profiles. (Do not seal along the bottom inside the bath screen.)

7. Seal at least 150mm up the wall and fixed profiles from where it meets the bath.

8. Seal on the outside where the Profile meets the bath.